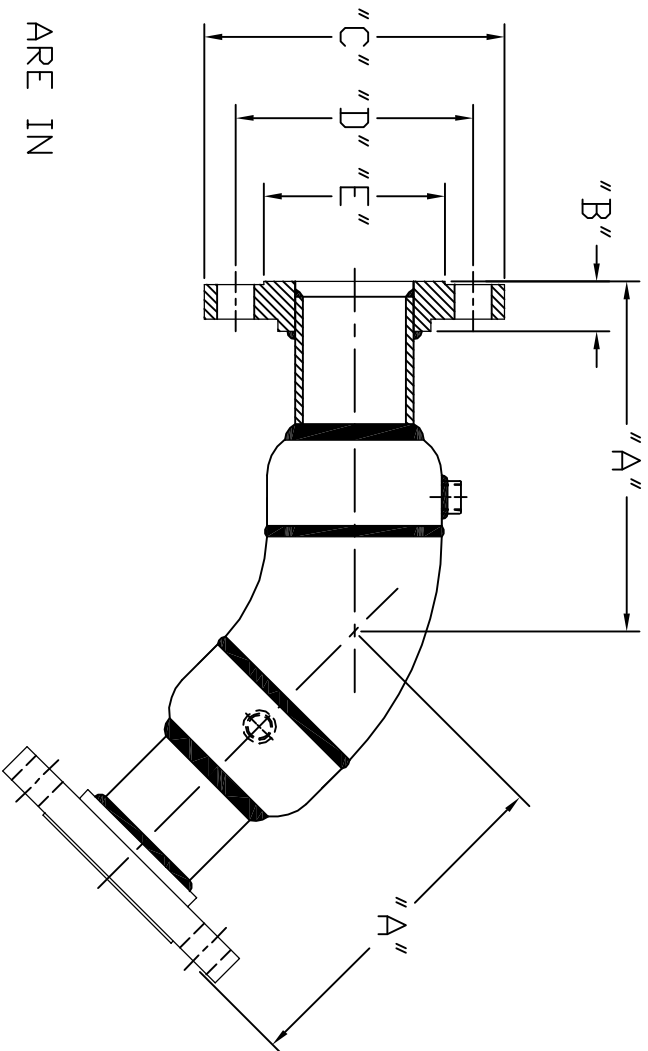


DIMENSIONS; (ALL ARE IN INCHES)



TEE SIZE (CORE)	A		B		C		D		E	COUPLING SIZE	NO. OF BOLTS 150# 300#	DIA. OF BOLT 150# 300#
	150#	300#	150#	300#	150#	300#	150#	300#				
1	4	1 1/6	4 1/4	4 7/8	3 3/8	3 1/2	2	1/2	4	4	3/8	3/4
2	5	1	1 5/16	6 1/2	4 3/4	5	3 3/8	1/2	4	4	3/4	3/4
3	7	1 3/16	1 11/16	7 1/2	8 1/4	6	6 5/8	3/4	4	4	3/4	7/8
4	8	1 5/16	1 7/8	9	10	7 1/2	7 1/6	3/4	8	8	3/4	7/8
6	10	1 9/16	2 1/16	11	12 1/2	9 1/2	10 3/8	3/4	8	12	7/8	7/8
8	12	1 3/4	2 1/16	13 1/2	15	11 3/4	10 5/8	3/4	8	12	7/8	1
10	14	1 5/16	2 5/8	16	17 1/2	14 1/4	12 3/4	1	12	16	1	1 1/8
12	16	2 3/16	2 7/8	19	20 1/2	17 3/4	15 1/4	1	12	16	1	1 1/4

DATE	SYM	REVISION RECORD	BY
	○		

TOLERANCES  
(EXCEPT AS NOTED)  
 DECIMAL  
 .X = ±.015  
 .XX = ±.010  
 .XXX = ±.005  
 FRACTIONAL  
 ± 1/64

DRAWN BY ALP  
 DATE 8/3/2011  
 TAG NO. CAPPED JACKETED 45° ELL

Flextrol, Inc.  
 192 Browns Hill Road  
 Locust, NC 28097

TITLE  
 SIZE AND DIMENSIONS/FABRICATED  
 JACKETED 45° ELL